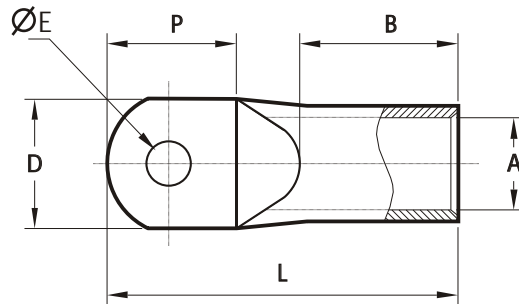


COMPRESSION CABLE LUGS - NARROW PALM

MATERIAL : E-COPPER

FINISH : ELECTRO-TINNED

FEATURES : WITHOUT INSPECTION HOLE



CABLE mm ²	ØE	CAT. NO.	DIMENSIONS IN mm					PER BOX
			A	D	P	B	L	
35	6.5	SCNP35-6	8.2	13	20	16	44	200
	8.5	SCNP35-8						
50	8.5	SCNP50-8	9.5	15	23	19	49	150
	10.5	SCNP50-10						
70	8.5	SCNP70-8	11.2	17.5	25	21	55	100
	10.5	SCNP70-10						
	13	SCNP70-12						
95	8.5	SCNP95-8	13.5	21	27	23	62	75
	10.5	SCNP95-10						
	13	SCNP95-12						
120	10.5	SCNP120-10	15.5	21	28	28	72	50
	13	SCNP120-12						
150	10.5	SCNP150-10	16.5	21	32	28	75	40
	13	SCNP150-12						
	17	SCNP150-16						
185	10.5	SCNP185-10	18.5	27	38	31	85	30
	13	SCNP185-12						
	17	SCNP185-16						
240	10.5	SCNP240-10	21.5	30	43	35	95	20
	13	SCNP240-12						
	17	SCNP240-16						
300	13	SCNP300-12	23.5	32	47	44	110	15
	17	SCNP300-16						

