

BW Industrial Cable Gland

Brass indoor gland suitable for single wire armoured, plastic or rubber sheathed cable.

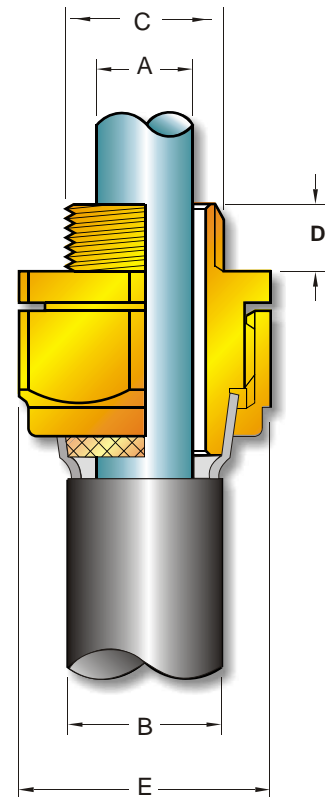
Recommended to use with shroud for additional ingress protection.

Earth tag to be used for earth continuity.



TECHNICAL DATA

Type	BW KNURLING TYPE
Design Specification	BS 6121 : Part I : 1989
Ingress Protection	IP3X
Gland Material	Brass
Finish	Plain Brass or Nickel Plated
Cable Type	Steel Wire Armour
Armour Clamping	Two Part Armour Lock



Gland Size	Metric Entry Thread 'C'	Minimum Thread Length 'D'	Under Armour Dia 'A'	Overall Dia 'B'	Armour Wire Dia	Across Corner Dia 'E' Max	Cat #
20S	20	10	11.7	16.0	0.9/1.25	25.	SBW-20S
20	20	10	14.2	18.0	0.9/1.25	26.0	SBW-20
25	25	10	20.5	25.9	1.25/1.60	37.6	SBW-25
32	32	10	27.0	34.3	1.60/2.0	45.9	SBW-32
40	40	15	32.5	40.9	1.60/2.0	56.4	SBW-40
50	50	15	44.5	53.0	2.0/2.5	71.1	SBW-50
63	63	15	56.4	65.3	2.5	86.8	SBW-63
75	75	15	68.3	77.7	2.5	103.1	SBW-75

Dimensions in Millimeters

